

## Worksheet for GEARS Surface Mobility Platform Parts

### Structural Components

Extra Long Aluminum Square

10 1/2" long

9 holes x 0.625"



Long Aluminum Square

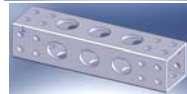
8 3/4" long

7 holes x 0.625"



Medium Aluminum Square

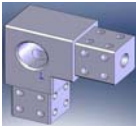
4 3/4" long 3 x 0.625"



Motor Mount  
with hardware



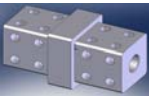
90 Degree Connector



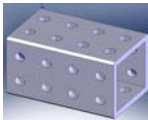
45 Degree Connector



Straight Connector



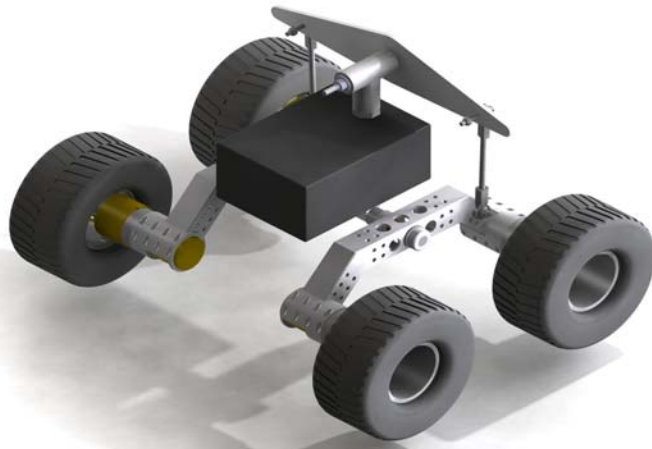
Aluminum Square 2" long  
1-1/4" x 1-1.4" sq tube



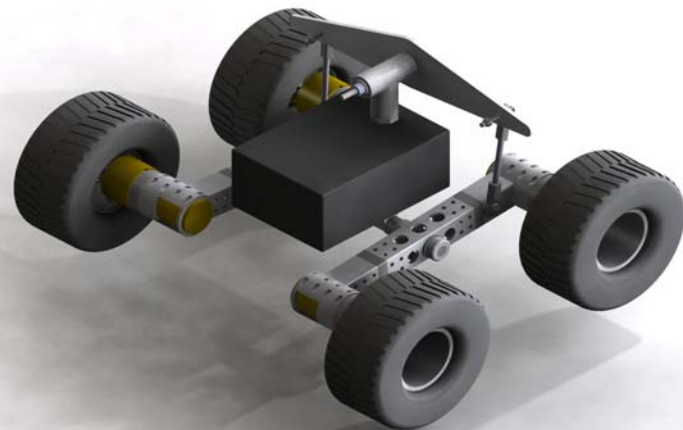
10" by 1/2" Titanium Axle



## Standard Configuration



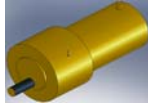
## Low Profile



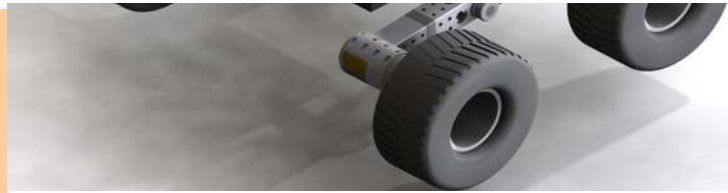
\$ 8.00 per inch  
Std. Length 10"



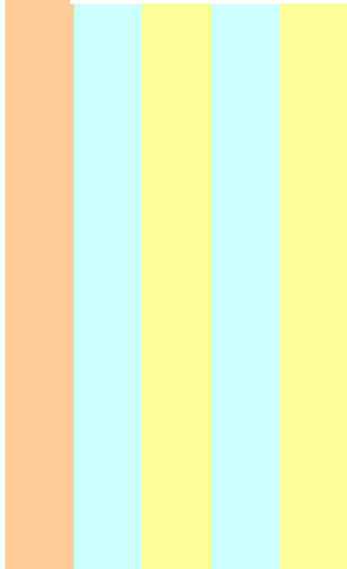
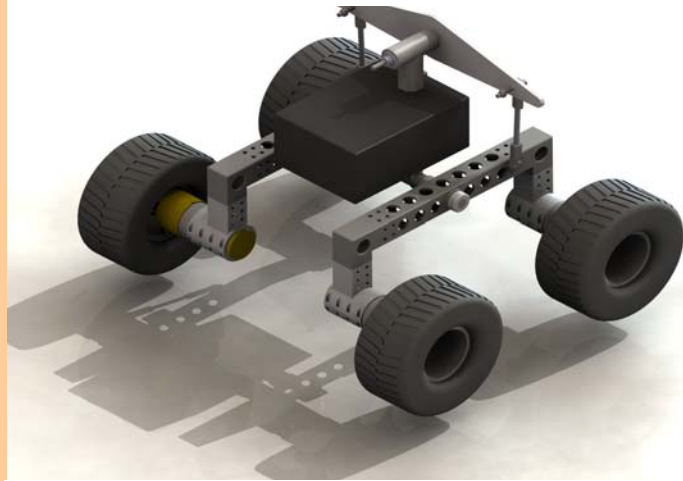
- Pittman Motor 19:1 ratio high torque
- Pittman Motor 128:1 ratio
- Pittman Motor 218:1 ratio
- Pittman Motor 65:1



- Pittman Motor 19:1 ratio high torque w 2 channel encoder
- Pittman Motor 128:1 ratio w 2 channel encoder
- Pittman Motor 218:1 ratio w 2 channel encoder



# High Clearance



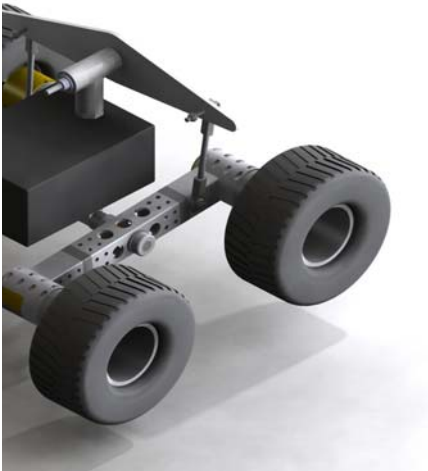




# Configuration



# Profile





# Clearance

