

SOLAR-BREEZE

Intelligent Robotic Solar Powered Pool Skimmer

Quick Start Booklet



Read this first!

QUICK START

(Using the Solar-Breeze)

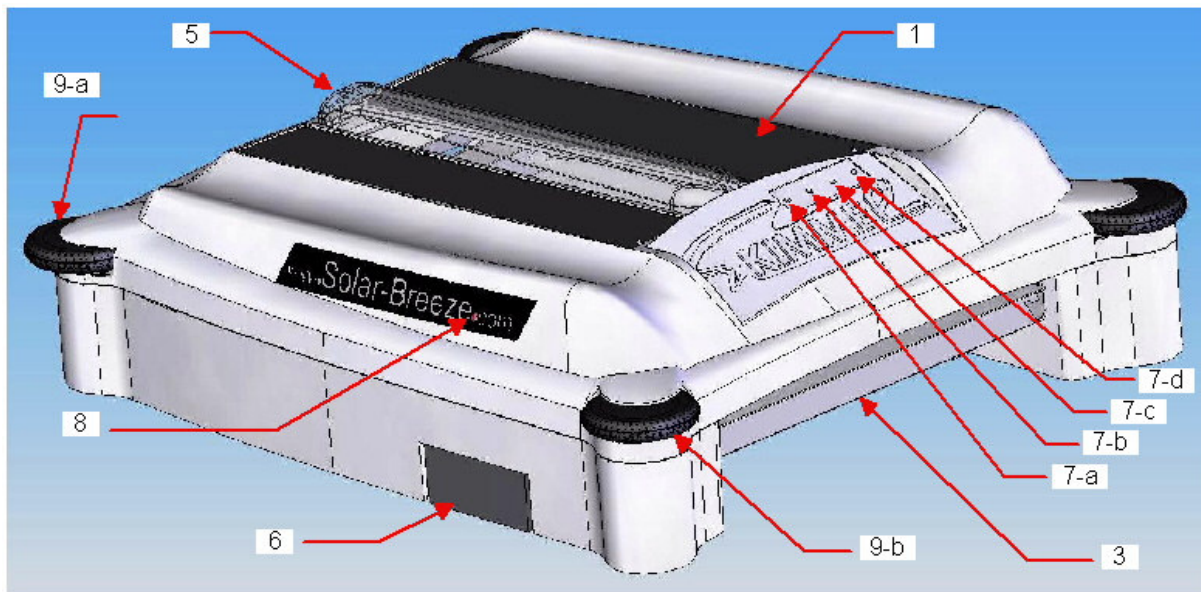
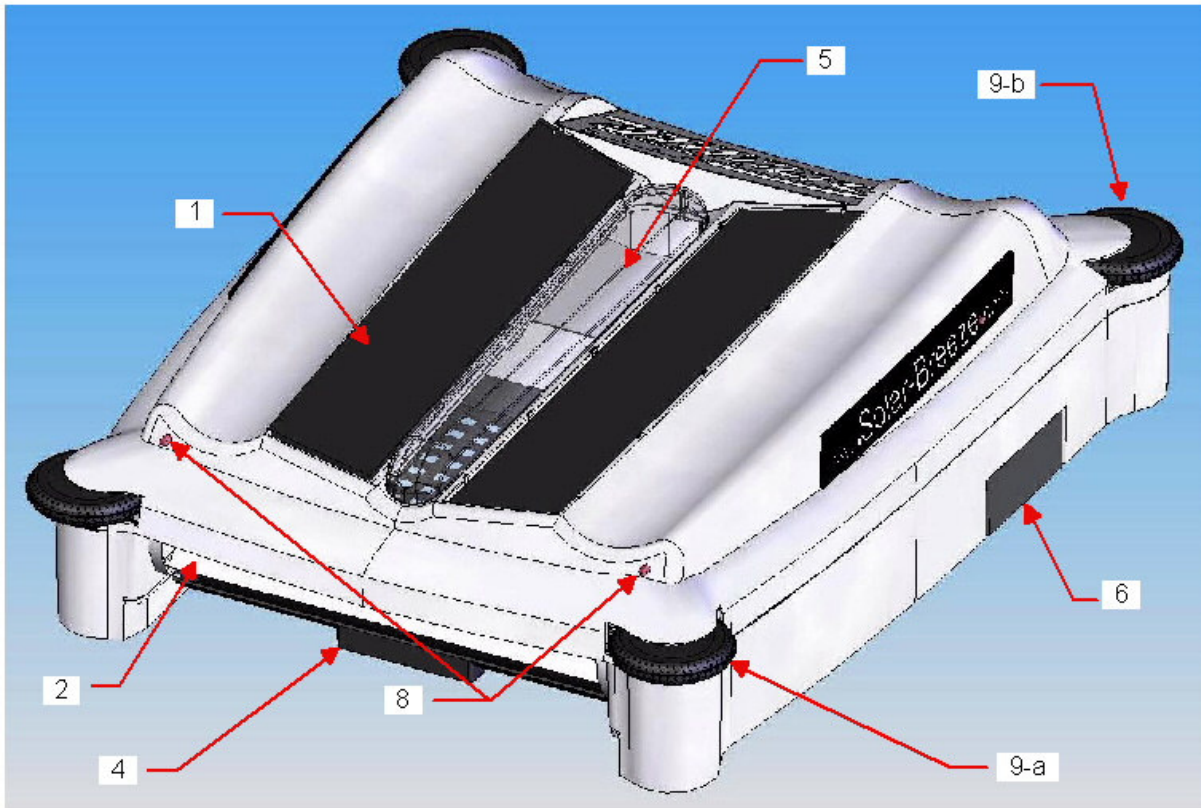
Before using the SOLAR-BREEZE pool skimmer unit read the OWNERS MANUAL, provided on the enclosed CD-Rom disk or online at (www.solar-breeze.com).

You MUST register your SOLAR-BREEZE pool skimmer unit within 10 days of the purchase date, online at (www.solar-breeze.com) or with the enclosed warranty registration card for the Limited Warranty to be valid. For more information, please read the enclosed Limited Warranty. Also, refer to the OWNERS MANUAL for complete operating instructions, care, maintenance, storage and troubleshooting.

- The Solar-Breeze pool skimmer unit may look like a pool toy to some children and may lure children into the swimming pool when no one is looking. ALWAYS watch CHILDREN around water. **NEVER** leave children in a pool without supervision. **Remember two seconds is too long.**
- DO NOT SWIM or DIVE while the Solar-Breeze pool skimmer unit is on the pool surface. The unit must be removed from the water during swimming or when children are present.
- The Solar-Breeze MUST have its batteries charged by placing the unit in direct sun for one full day before use when the unit first arrives or after long periods of storage.
- The unit will charge its batteries even when turned OFF. When batteries are charged, the POWER light will illuminate whenever the unit is turned ON. Operation without fully charged batteries may yield disappointing or unpredictable behavior.
- AFTER the unit has charged for one full day the batteries should be sufficiently charged to begin skimming the pool surface. Gently place the unit on the pool surface, turn the unit "ON", and allow it to work.
- Remove any extremely large debris such as branches, plastic bags, newspapers, etc floating on the pool surface also remove large obstacles to skimming like pool toys, hoses, etc.
- Do not operate automated pool vacuums while the Solar-Breeze is in the water, as they can capsize and damage the unit, voiding the warranty.
- Two large 3" chlorine tablets may be used in the Chemical dispenser. Always clean out every trace of chlorine before storing the unit and NEVER allow cleaning chemicals to contact pool chlorine.
- The Chemical Dispenser pulls out sideways and has adjustable slots for regulating chlorine distribution rate.
- The Filter basket may be removed by sliding it out forwards, gently, underneath the front paddlewheel. Then the filter screen may be cleaned by tapping the filter basket upside down against a hard flat surface, while it is still wet.
- Stubborn residue may be cleaned by unsnapping the fine screen from the filter basket and soaking it in detergent water or hosing it off.
- Paddlewheel jams must be cleared very gently. Do not force paddlewheels or bumper wheels to turn, as this can break internal gears. Refer to the Owners Manual, or seek help from a pool care professional.
- This is an intelligent robotic pool skimmer. It is programmed to operate intermittently, back up, eject a debris clogged paddlewheel, it may cycle on and off at night, and may exhibit "odd" programmed behavior explained in detail in the Owners Manual. These automatic behaviors help keep the unit from getting stuck or batteries from running down.

Place bar-code here

Serial Number



PART NAMES

- | | |
|---|--|
| <ol style="list-style-type: none"> 1. Solar Panels 2. Front Paddlewheel 3. Rear Paddlewheel 4. Filter Basket 5. View Lens 6. Chemical Dispenser | <ol style="list-style-type: none"> 7. Control Panel <ol style="list-style-type: none"> a. POWER Indicator LED (green) b. ALARM Indicator LED (red) c. BATTERY Indicator LED (green) d. ON/OFF Button 8. Navigation Lights (4) 9. Bumper Wheels <ol style="list-style-type: none"> a. Two Front Bumper Wheels (powered) b. Two Rear Bumper Wheels (idlers) |
|---|--|

More detailed instructions can be found inside the owner's manual on the CD-Rom disk.

Limited Warranty

Manufacturer of this product, hereby warrants, subject to the conditions set forth below in paragraph 1, 2, 3, and 4, that it will either repair, or replace, at its option, this product if it proves to be defective by reason of improper workmanship or materials within 1 year after the purchase of this product at retail or (at the manufacturer's option) refund the **pro-rated** portion of the original purchase price appropriate for the remaining portion of the warranty period. This warranty, to be effective, must be registered within 10 days of the original purchase date.

It may be registered online at (www.solar-breeze.com) or by mail with the included mail in warranty registration card. In order to obtain repairs or replacement under this limited warranty during the first 30 days after the purchase date, you must bring this product to the original place of purchase OR call the Warranty Service phone number listed, below. After 30 days from the purchase date, you MUST, to obtain any warranty service, first contact the manufacturer online or by phone to obtain a valid RETURN AUTHORIZATION NUMBER. The unit must be returned in the **original packaging material**, and the RETURN AUTHORIZATION NUMBER must be clearly printed on the outside of the package in large legible letters. The following conditions apply to this Limited Warranty.

1. ORIGINAL PURCHASER. This limited warranty is limited to the original purchaser at retail of this product from retailer or manufacturer or authorized distributor.
2. UNAUTHORIZED REPAIR, ABUSE, ETC. This product shall not have been previously altered, repaired, or serviced by anyone other than a service facility authorized by the manufacturer or distributor to render such service: This product shall not have been subject to accident, misuse, abuse, casualty, vandalism, or operated contrary to instructions, accompanying this product.
3. REGISTRATION. This warranty must be registered within 10 days of the purchase date by registering online at www.solar-breeze.com or by mail, using the Registration Card included with the Solar-Breeze. Your registered unit will be issued a "registration number" which is required when contacting the manufacturer (online or by phone) for any warranty service.
4. EXCLUSIONS. This warranty does not apply to any Solar-Breeze unit that has been mistreated in any way, including if the unit has been:
 - Submerged underwater sufficiently to get water inside the motors or electronic enclosures
 - Treated roughly so as to break components by what is obviously abuse (such as breaking the solar panels, cracking the plastic housing, Paddlewheels or other components.)
 - Stored or used in a pool of water as the pool surface freezes or becomes too foul to allow its use as a swimming pool, or allowed to remain in water during sleet, snow, tropical storms, or swimming activity.
 - Stored (out of water) with chemicals still remaining in its Chemical Dispenser, or in excessively hot or cold environments (below 32°F or above 100°F).
 - If the Solar-Breeze is used in anything but a well maintained private swimming pools where the owners have control of persons entering the swimming pool area. Or more public applications where the Solar-Breeze is removed from the public area during times of pool use. Or if the Solar-Breeze is used for any "off-warranty" application.

Except to the extent prohibited by applicable law, no other warranties, whether express or implied, including the warranties of merchantability and fitness for a particular purpose, shall apply to this product. Under no circumstances shall manufacturer or distributors be liable for consequential or incidental damages in connection with this product. To the extent manufacturer is prohibited by applicable law from excluding implied warranties, the duration of such implied warranties which are not excludable shall be 1 year from the date of the purchase of this product at retail. Some states do not allow the limitation on how long an implied warranty lasts, so the above limitation on the duration of implied warranties, if any, which are not excludable may not apply to you. Some states do not allow the exclusion or limitation of incidental or consequential damages, so the above limitation or exclusion of incidental or consequential damages may not apply to you.

Manufacturer neither assumes nor authorizes any representative or other person to assume for it any obligation or liability other than such as is expressly set forth herein. This limited warranty gives you specific legal rights, and you may also have other rights, which vary from state to state.

For warranty service go to (www.solar-breeze.com) or call 623-582-2825